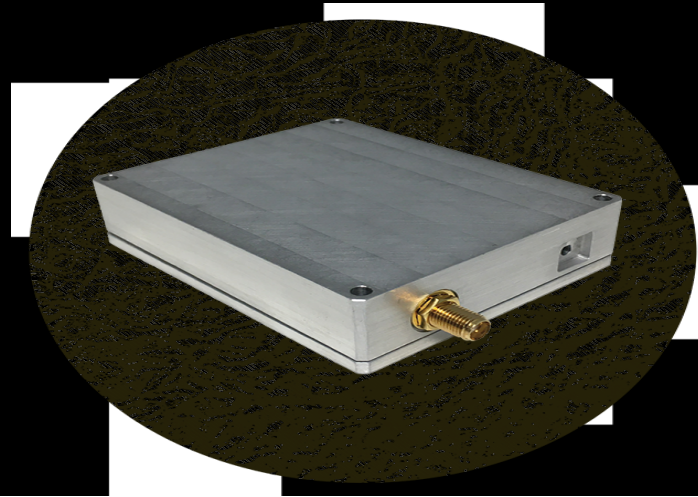




Micro-IFF Transponder Hawk

With SWAP Paramount in Today's systems, the new Micro IFF with its advanced technology meets the demanding needs of critical aerial platforms.



Key features

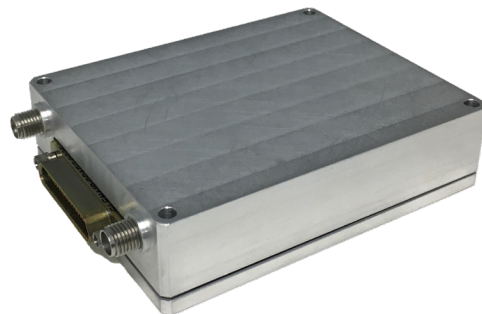
- Small & Lightweight: 30 times smaller than current IFF Transponders
- Exceeds FAA 2020 Tri-Band Mandate
- Mark XIIA Transponder Modes 1, 2, 3/A, C, S, 5* with ADS-B
- Designed to AIMS 03-1000C and DO-181E Compliance
- Internal Pressure Sensor/Altitude Encoding

Overview

The **Hawk™** Micro IFF Transponder is the next generation in IFF avionics, offering features previously only available from units over 30 times its size. This unit provides over 450 watts of output power and supports most all Military and Civil IFF modes*.

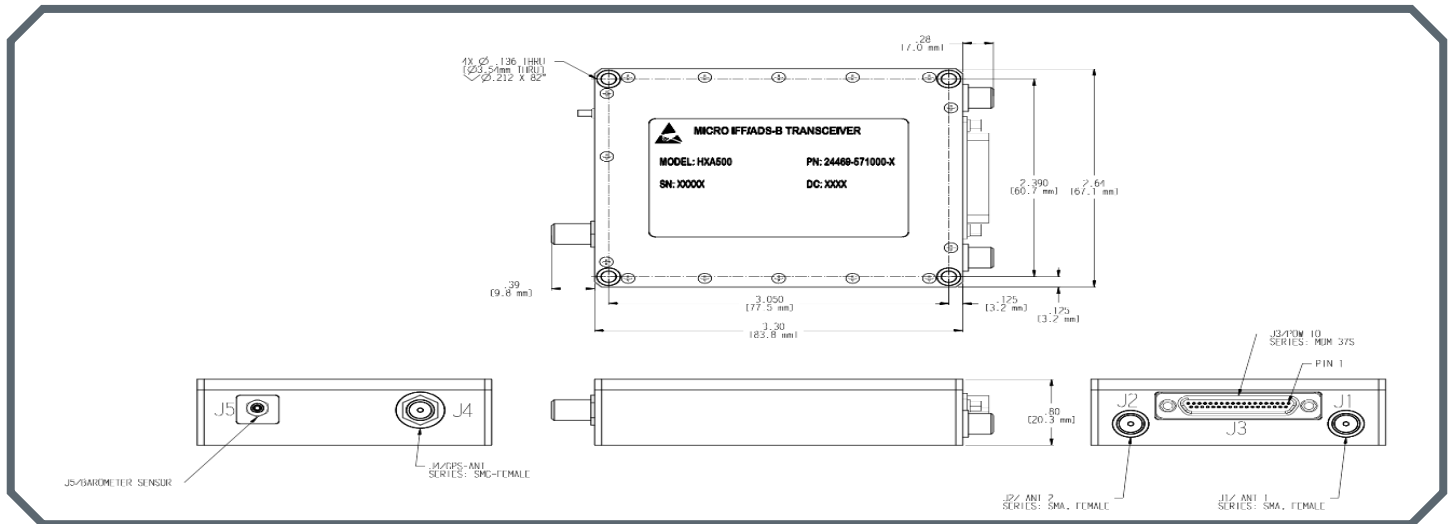
Designed for minimum size, weight, and power (SWaP), the unit is small enough to support Class II UAS operation yet powerful enough to support current manned aircraft surveillance requirements. The unit will be qualified to military standards.

*Some modes require additional hardware and/or USG approval.



DOD / OSR Clearance 16-S-1189

ULTRA



SPECIFICATIONS:

PHYSICAL

- Dimensions: 3.3 in x 2.7 in x 0.8 in
- Weight: 7.6 oz.
- Power: 10-36 VDC; approx. 20W @ 28VDC (1% duty cycle)

ENVIRONMENTAL

- Thermal/Mechanical: MIL-STD-810
- EMI/EMC: MIL-STD-461, DO-160
- Humidity: 95% non-condensing
- Temperature:
 - Operating: -40° to +70° C
 - Non-operating: -55° to +85°

TRANSPONDER

- Frequency: 978, 1030, 1090 MHz
- Functions: Modes 1, 2, 3/A, C, S, 5*, ADS-B
- Transmit Power: > 450W (1% duty cycle)
- Receiver Sensitivity: -76 dB
- Antenna Diversity
- Designed to DoD AIMS 03-1000C Specification

INTERFACES

- IEEE 802.3 10/100 Ethernet
- 2 x EIA/TIA-422 or 4 x EIA/TIA-485, up to 16 Mbps
- 2 x EIA/TIA-232, up to 1 Mbps
- CAN bus (ISO 11898-1 compliant)

EXTENSIBLE TO SUPPORT

- MIL-STD-1553
- Mode 5, Levels 1, 2
- ARINC 429
- ADS-B In
- Universal Access Transceiver (UAT)
- TCAS Compatibility
- TIS-B Services
- Mode S EHS



Ultra Intelligence & Communications
 +1 717 397 2777
 sales@ultra-us-gbs.com
 ultra.group

Ultra reserves the right to vary these specifications without notice.
 © Ultra Electronics Ltd 2020