

+

# Digital Tone-Based, EFTS I/O Compatible Flight Termination Receiver/Decoder - Model HFTR60-4

Supplying high performance flight instrumentation, RF/microwave assemblies, power amplifiers, IFF and data acquisition systems for severe environments.

## Overview

The Ultra HFTR60-4 is the next generation programmable, digital Flight Termination Receiver (FTR) that uses advanced Digital Signal Processing (DSP) techniques to process standard IRIG tones. The HFTR60-4 is designed for RCC319-14 Tone Based Command Logic compliance while providing tone monitor telemetry status on equivalent RS232 output connection of the Enhanced Flight Termination Receiver (EFTR). This provides a seamless path to future transition to EFTR, if required without impacting current tone-based operations.

The HFTR60-4 is a compact unit, capable of handling the harshest environments and is designed to meet military operational environments and EMI. The design of the HFTR60-4 employs the latest technologies and manufacturing processes to provide a high performance, highly reliable, stable, and long-life product.



## Features

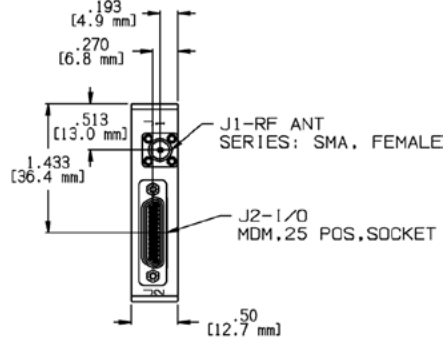
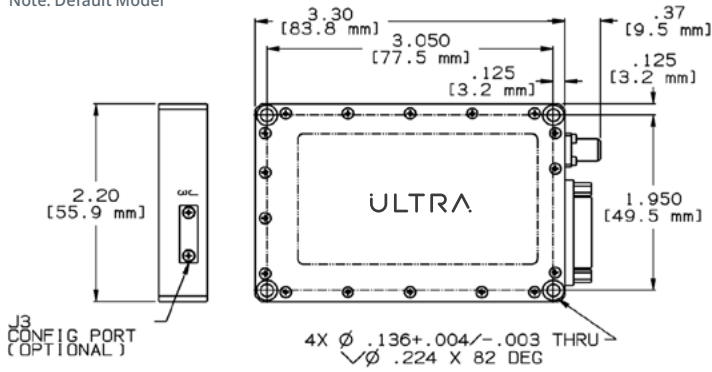
- RCC 319-14 Functionally Compliant
- Programmable frequency 420-450 MHz
- Programmable 3 or 4 tone channels
- Capable of storing up to 32 factory or field programmed configurations
- RS232 Tone Monitor and Signal Strength Telemetry
- All solid-state design
- High sensitivity receiver
- Small, less than 3.7 cubic inches
- Lightweight, less than 5 ounces
- No RF/IF tuning elements
- Reverse polarity power protection
- Telemetry output protection
- Designed for extreme environments
- Operating temperature to -54° and +85°

## Options

- 406 to 420 MHz band
- No failsafe, Standard failsafe, Commanded failsafe
- Common returns: Signal strength and DC returns
- All returns connected to chassis
- RS232 Upper IRIG Tones to 45 kHz
- Supports constant current terminate output

Due to U.S. Export Control Reform this product has transitioned from ITAR to Department of Commerce Export Administration Regulations (EAR) making it ITAR-free.

Note: Default Model



Pin	Function
1.	DC Input Voltage A
2.	Configuration TX
3.	DC Return A
4.	DC Return B
5.	N/C
6.	Failsafe Enable (FSE)
7.	Failsafe Input
8.	TERMINATE Command
9.	Tone Monitor Telemetry (RS232)
10.	OPTIONAL Command
11.	Low Voltage Sense (Input)
12.	POST
13.	Case Ground
14.	DC Input Voltage B
15.	Failsafe Telemetry
16.	Tone D Telemetry
17.	Tone A Telemetry
18.	DC Return C
19.	Failsafe Output
20.	TERMINATE Command
21.	Configuration RX
22.	MONITOR Command
23.	ARM Command
24.	Signal Strength Telemetry
25.	Signal Strength TM Return



### Electrical

- Frequency Range: 420 to 450 MHz (factory preset to customer specified frequency)
- Impedance: 50 ohms nominal
- VSWR: Less than 2:1
- Reverse Polarity Protection: Built-in
- DC Input Voltage: +22 to +36 Vdc, ±45Vdc over voltage protected
- Unit Power: 4.5 W max.
- Low Voltage Sense: isolated input
- Telemetry Outputs: Signal Strength, Tone A, Tone D, Power-On Self Test (POST), Failsafe, ±45 Vdc over voltage protected
- Command Outputs: 4 solid-state outputs
- Command Outputs, Voltage Drop Under Load: Terminate, ARM, MONITOR, OPTIONAL: 2 Vdc maximum at 1 AMP, 3.5Vdc maximum at 2 AMPs, TERMINATE: 4Vdc maximum at 7.5 AMPs, 100 msec
- Output Leakage Current: 50 microAMPS maximum
- Isolated Returns: Signal strength output isolated from DC return and chassis ground
- RFI/EMI: Meets MIL-STD-461F, tests; CE102, CE106, CS101, CS103, CS104, CS105, CS114, CS115, CS116, RE102 and RS103
- Provides RS-232 Telemetry Output including Tone monitors, SSTO, Failsafe Status



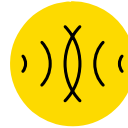
### Physical

- Size: 3.3 X 2.2 X .5 inches (8.4 X 5.6 X 1.3 cm), less connectors
- Weight: 5 ounces maximum
- Antenna Connector (J1): RF input SMA - Female
- Power and Signal Connector (J2): 25-pin micro-D socket M83513/04-D05N

### Environmental\*

- Random Vibration (ATP): 0.04 g2/Hz (6.1 grms)
- Random Vibration (Qual): 29.7 grms
- Temperature, Operating (ATP): -40°C TO +71°C standard
- Temperature, Operating (Qual): -54°C TO +85°C
- Temperature, Storage (Qual): -62°C TO +95°C
- Shock (Qual): 1300g SRS
- Altitude (Qual): 15,000 ft
- Humidity (Qual): 95%
- Acceleration (Qual): Up to 125s g'S

\*As of publishing date



### Receiver

- Design: Double conversion superheterodyne
- Sensitivity: -107 to -116 dBm
- Frequency Band: 406 to 450 MHz
- Frequency Tuning: programmable, 100 kHz steps
- Tuning Accuracy: 0.005%
- Dynamic Range: -107 dBm to +13 dBm
- Operating Bandwidth: ±45 kHz minimum
- IF Bandwidth: 3dB @ ±90 kHz minimum
- Selectivity: 60 dB @ ±180 kHz maximum
- Image Rejection: Greater than 60 dB
- Capture Ratio: Greater than 0.8
- AM Rejection: 100% at 100µV input
- Frequency Deviation: ±30 kHz per tone, nominal
- Signal Strength Monitor Output: No RF 0.5Vdc ± 0.25Vdc monotonically increases to 4.5Vdc minimum at -60 to -50dBm input. Maximum voltage 4.75Vdc ± 0.25Vdc
- Power on self test (POST): on Serial Output and 2X, 10ms pulses on SSTO within 1sec warmup



### Decoder

- Command Response Time: 4 to 25 msec
- Number of Tone Decoders: 3 or 4, programmable IRIG tones 1-13
- Simultaneous Usable Tones: 3
- Tone Monitor Outputs (into 10k Ohm): Activated 4.5Vdc ±0.5Vdc, Unactivated 0.0Vdc ±0.5Vdc
- Tone Decoder Bandwidth: ±1% minimum at 2dB, ±4% max at 14 dB
- Adjacent Tone Rejection: Rejects simultaneous adjacent tones greater than +/- 50 kHz deviation
- Decoder Threshold Deviation: ±10 to ±18 kHz
- Power Dropout Recovery: 50 msec power dropout, Command, FS Enable restore
- Failsafe: Loss of Tone A (programmable, 1 to 120 sec, at 0.1s resolution)
- Low Voltage Failsafe Sense: programmable, >22 Vdc in 0.5 V steps +/-0.5Vdc
- Failsafe Event: Arm/Terminate latch "On", power down to reset
- Failsafe: RCC319-14, Dual receiver cross strap operation compliant

### PRODUCT NUMBERS

P/N 570016-xxx (see options)

Ultra reserves the right to vary these specifications without notice.

© 2021 Ultra Electronics Ltd. All rights reserved. 1017.1-I&C-en-REV0421

**ULTRA** | Intelligence & Communications

ultra.group | sales@ultra-us-gbs.com